

+VS1

motor management relay GE 369

speed switch	14
undervoltage	27
undercurrent / underpower	37
bearing temperature	38
current unbalance	46
voltage phase reversal	47
stator temperature	49
short circuit & backup	50
ground fault & ground fault backup	50G/51G
overload	51
pow fact	55
overvoltage	59
starts per hour/time between starts	66
alarm	74
over/under frequency	81
lockout	86
differential switch	87

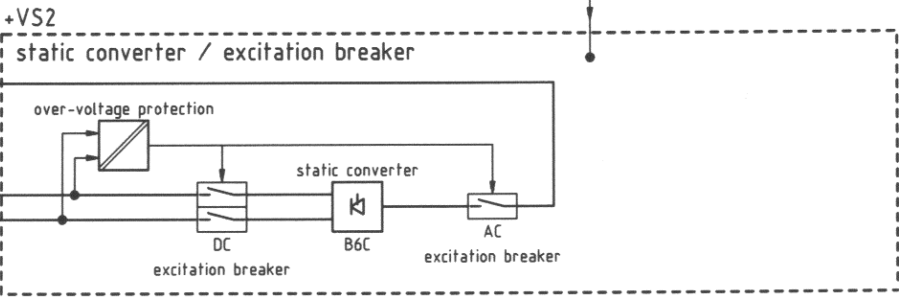
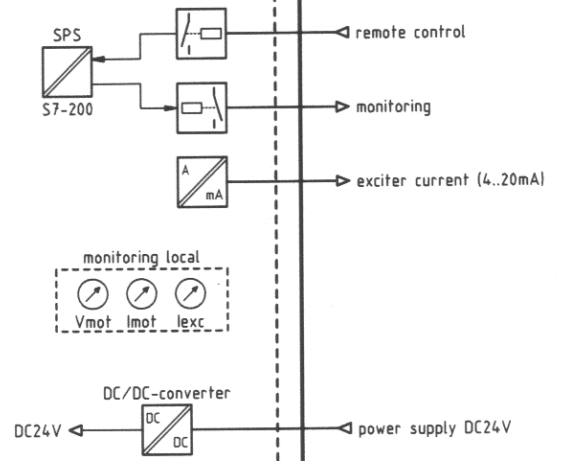
act.power
react.power
Imot
Vmot
pow fact

0000

+VS2

exciter unit TRM2D-B6

voltage regulation	automatic
PF regulation	automatic
react.current regulation	automatic
exciter current regulation	manual
exciter current limiter	automatic
stator current limiter	automatic
pole angle limiter	automatic



1 / 9E0-50-70

Revision		Date	24.05.2004
		Name	K.Wachtendorf
		Order No	
		Printed	24.05.2004
		CAD-File	



Single Line
100 V 600 A

SEMIEXCITER

20	04	EN	04-05-036	Index	Sheet	1
				sequ.		